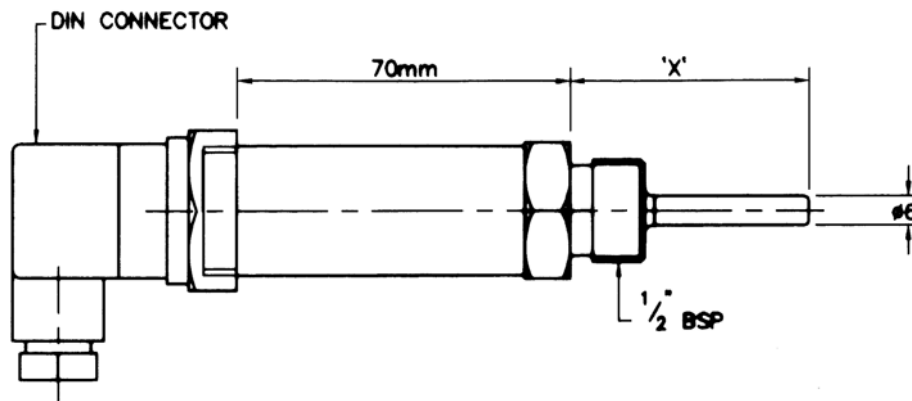


HBS 6000 (Stock Range)

Temperature Sensor & Integral Transmitter



All Wetted Parts 316 St.St

Standard Din Connectors

Part Number	Dim "X"
HBS/1/6000/1	50mm
HBS/1/6000/2	75mm
HBS/1/6000/3	100mm
HBS/1/6000/4	150mm
HBS/1/6000/5	"X"mm

Range	0 - 100 °C
Sensor	PT100 CLA
Output	4 - 20 mA
Power Requirement	10 - 30 VDC
CE Approvals	BS EN 61326
Accuracy	± 0.25 °C
Stability	± 0.02 % / °C
Sensitivity	10 µA / Volt
Ambient	0 - 70 °C

